



**FSM Frankenberger
GmbH & Co. KG**

Equipment for Water
and Waste Water
Inlet Works

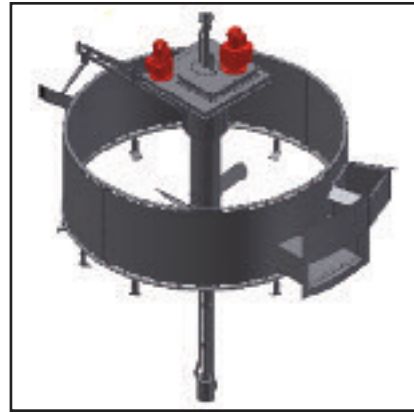


Paddle mixer



FSM Frankenberger GmbH & Co. KG
Vor dem Hohen Stein 1 · D-35415 Pohlheim/Garbenteich
Tel. +49 (0) 06404-9194-0 · Fax +49 (0) 06404-9194-91
info@fsm-umwelt.de · www.fsm-umwelt.de

FSM Paddle mixer



Functional principle:

The paddle mixer is positioned at the center of the round grit separator and is driven by a geared motor located in a dry area. The shape, size and number of paddles of the mixer is arranged to produce optimum flow in the tank which supports the waste water circulation and thus improves the separating capacity. The deposited material travels to the collecting hopper from where it is removed by suction pump or air jet lift. As an option, an aerated grease trap with an automatic skimming device can be installed.

The FSM Paddle mixer is used to produce a constant edge speed that does not change when the incoming quantity changes. It combines high performance with low operating costs.

Features:

- High reliability through robust construction
- High grit separation capacity
- Optional extra: aerated grease trap with skimming device
- Low energy consumption
- Grit removal via drive unit possible
- Excellent performance/price ratio
- Low maintenance costs
- Can be used outdoors and for operation in winter
- Easy retrofitting to suit changed operating conditions
- Machine completely hygienically encapsulated
- Proven in international operation

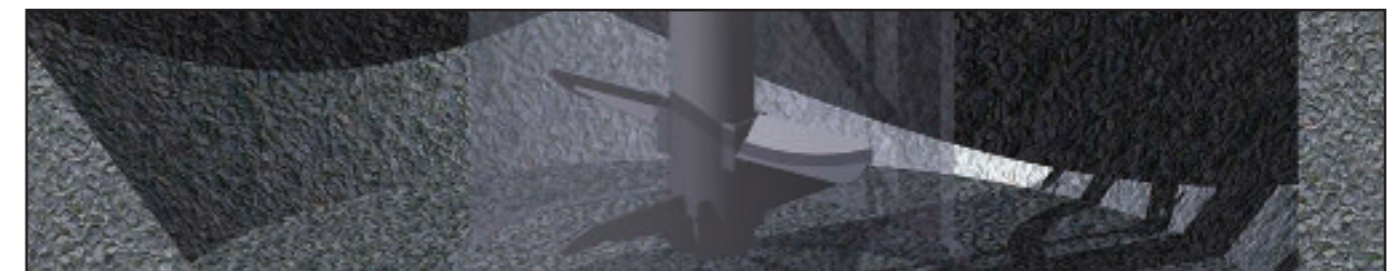
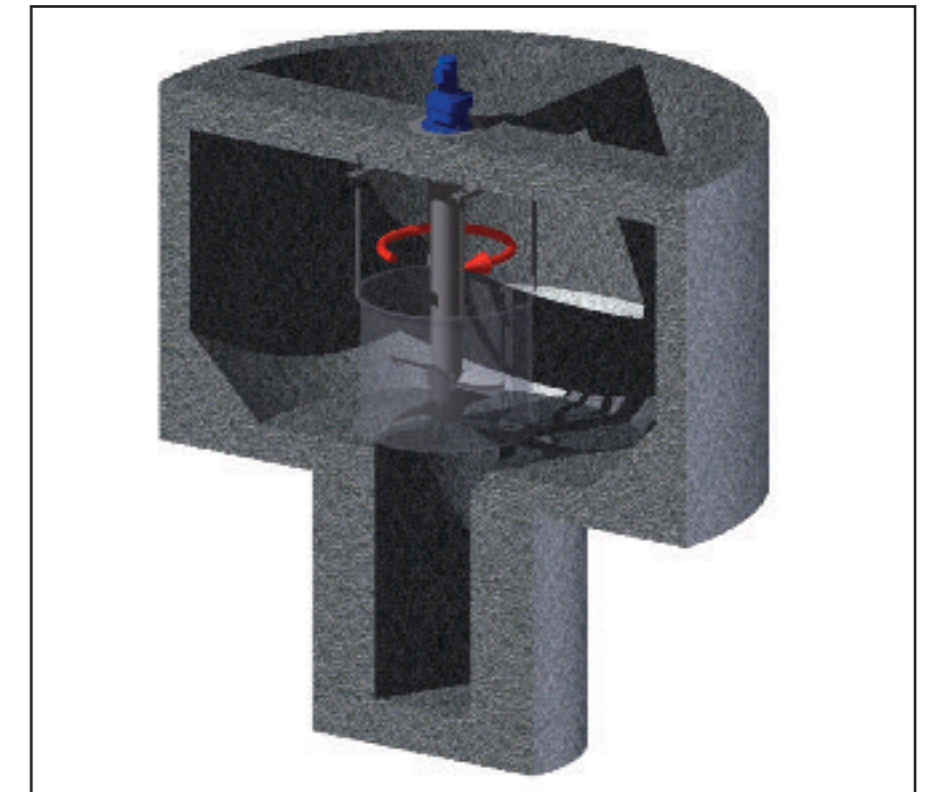


Applications in municipal and industrial clarification plant

- waste water pretreatment / fine screening
- septage reception and treatment

Industrial applications

- meat, fish and poultry processing / slaughterhouses – pretreatment of total waste water
- composting installations, waste product and disposal engineering, seepage water treatment
- fruit and vegetable processing – pretreatment of total waste water
- fruit and vegetables – pretreatment of total waste water
- breweries – pretreatment of total waste water
- animal processing industry – pretreatment of total waste water



Dimensions:

Throughput	On request
------------	------------

Material/make:

paddel mixer	stainless steel SS304 or SS316, other materials on request
grease removal	stainless steel SS304 or SS316, other materials on request
board	stainless steel SS304 or SS316, other materials on request
aeration	stainless steel SS304 or SS316, other materials on request
slewing ring	Hoesch-Rothe-Erde
drives	geared motors, make SEW